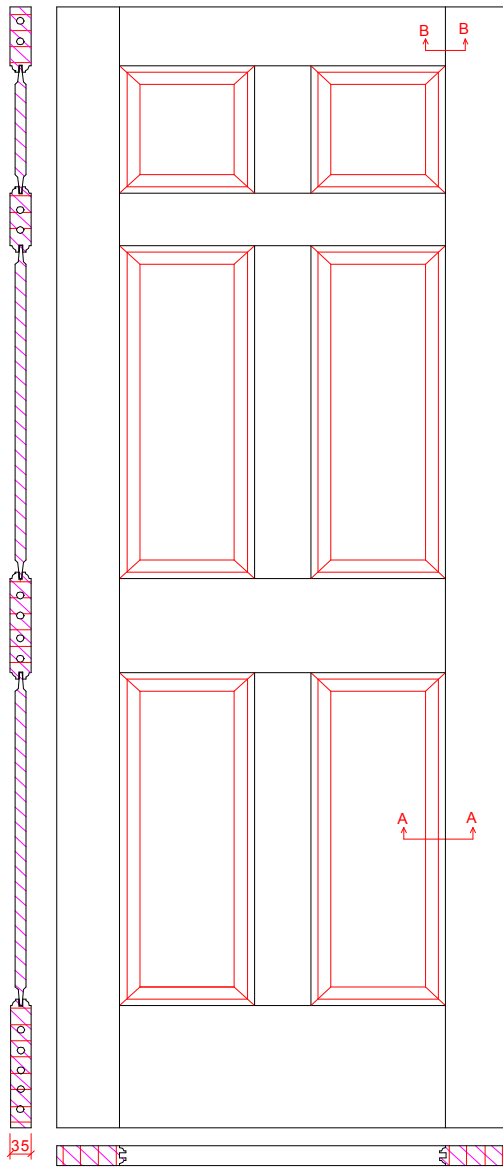
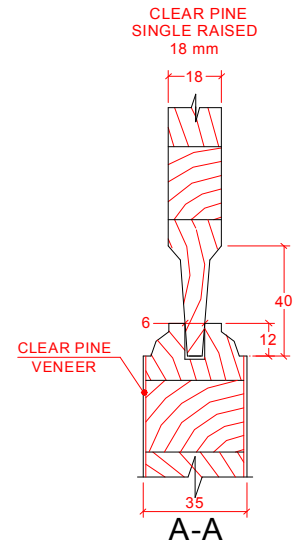
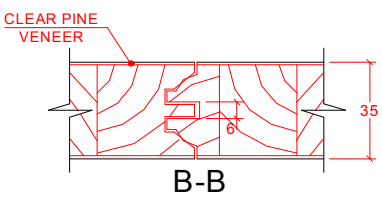
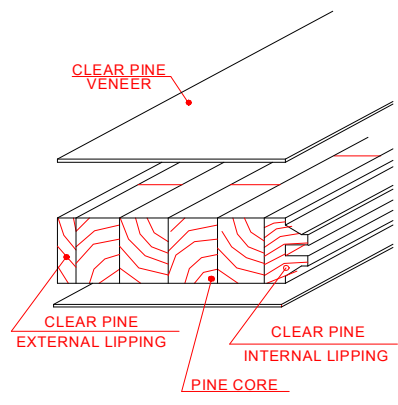


**SUMMIT
6P**



	106	230	96	604	170	604	222
	106	344	96	750	170	750	222
80" - 2032mm							
96" - 2438mm							



ALL MEASUREMENTS ARE IN MILLIMETERS

24" - 610mm	106	151	96	151	106
26" - 660mm	106	176	96	176	106
28" - 711mm	106	201.5	96	201.5	106
30" - 762mm	106	227	96	227	106
32" - 813mm	106	252.5	96	252.5	106
34" - 864mm	106	278	96	278	106
36" - 914mm	106	303	96	303	106

SUMMIT / 6P

SUMMIT 6P		
	COMERCIAL	
APROV	DES. PRODUTO	
	ENGENHARIA	
DATE	16/06/05	

6 Panel Clear (6'8")